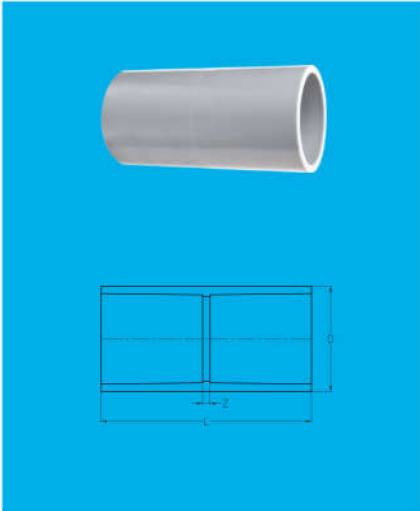
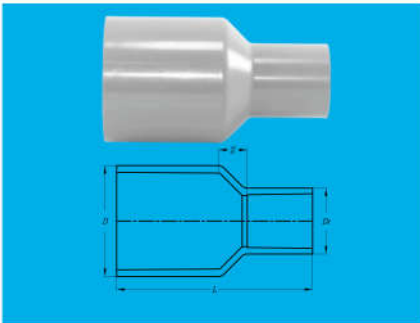


**Nối trơn / Plain socket**



DN		PN	D	Z	L
mm	inch	bar	mm	mm	mm
21	1/2	15	28	3	63
27	3/4	15	33	3	73
34	1	15	41	4	84
42	1 1/2	15	50	4	92
49	1 3/4	12	57	5	115
60	2	12	69	5	131
60	2	6	67	5	79
90	3	12	103	7	135
90	3	6	97	7	109
114	4	9	133	7	175
114	4	6	123	7	135

**Nối rút / Reducer socket**



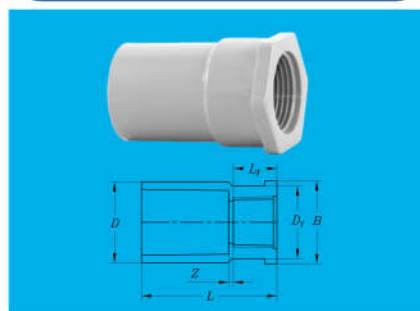
DN		PN	D	D <sub>1</sub>	Z	L
mm	inch	bar	mm	mm	mm	mm
27 x 21	3/4 x 1/2	15	34	28	7	73
34 x 27	1 x 3/4	15	41	34	6	83
60 x 34	2 x 1	15	70	41	18	123
114 x 90	4 x 3	6	124	97	20	138

**Nối ren ngoài  
Male thread socket**



DN			PN	D	Z	L	L <sub>1</sub>	B
mm x mm	mm x inch	inch x inch	bar	mm	mm	mm	mm	mm
21 x 21	21 x 1/2	1/2 x 1/2	15	28	4.5	55	18	32
27 x 21	27 x 1/2	3/4 x 1/2	15	34	7	60.5	18	38
27 x 27	27 x 3/4	3/4 x 3/4	15	34	8.5	63	20	38
34 x 34	34 x 1	1 x 1	15	41	6	71.5	23.5	47

**Nối ren trong  
Female thread socket**



DN			PN	D	Z	L	L <sub>1</sub>	B
mm x mm	mm x inch	Inch x Inch	bar	mm	mm	mm	mm	mm
21 x 21	21 x 1/2	1/2 x 1/2	15	28	1.5	50	18	34
27 x 21	27 x 1/2	3/4 x 1/2	15	34	2	56	18	34
27 x 27	27 x 3/4	3/4 x 3/4	15	34	2	58	20	42

**Co 90° ren trong**  
Female thread 90° elbow



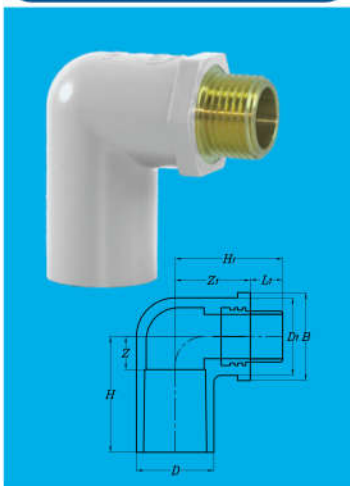
DN		PN	D	D <sub>1</sub>	Z	Z <sub>1</sub>	L <sub>1</sub>	H	H <sub>1</sub>	B
mm	Inch	bar	mm	mm	mm	mm	mm	mm	mm	mm
21 x 21	½ x ½	15	28	30	11	11	16	41	50	34
27 x 21	¾ x ½	15	33	37	14	13	19	44	54	37

**Co 90° ren trong thau**  
Female brass thread 90° elbow



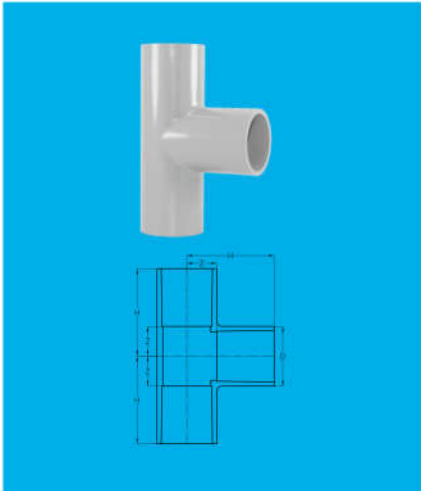
DN			PN	D	D <sub>1</sub>	Z	Z <sub>1</sub>	L <sub>1</sub>	H	H <sub>1</sub>	B
mm x mm	mm x inch	inch x inch	bar	mm	mm	mm	mm	mm	mm	mm	mm
21 x 21	21 x ½	½ x ½	15	28	28	13	14	16	43	63	34
27 x 21	27 x ½	¾ x ½	15	34	34	14.5	16.5	16	50	32.5	38.5

**Co 90° ren ngoài thau**  
Male brass thread 90° elbow



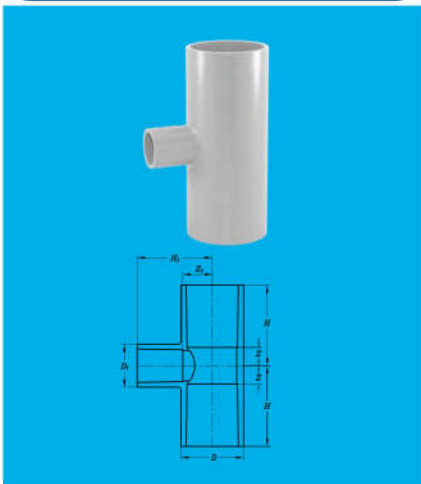
DN			PN	D	D <sub>1</sub>	Z	Z <sub>1</sub>	L <sub>1</sub>	H	H <sub>1</sub>	B
mm x mm	mm x inch	inch x inch	bar	mm	mm	mm	mm	mm	mm	mm	mm
21 x 21	21 x ½	½ x ½	15	28	28	13	30	14	43	44	34
27 x 21	27 x ½	¾ x ½	15	34	34	14.3	32.5	14	50	46.5	38.5

**Chữ T / Tee**



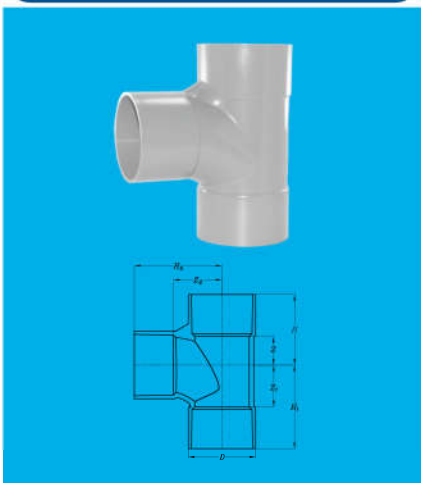
DN		PN	D	Z	H
mm	Inch	bar	mm	mm	mm
21	1/2	15	28	13	43
27	3/4	15	33	16	52
34	1	15	41	20	60
42	1 1/2	15	50	21	66
49	1 3/4	12	57	28	83
60	2	12	69	36	76
60	2	6	67	36	73
90	3	12	103	52	116
90	3	6	97	52	103
114	4	9	133	68	152
114	4	6	123	68	132

**Chữ T RÚT / Reducing tee**



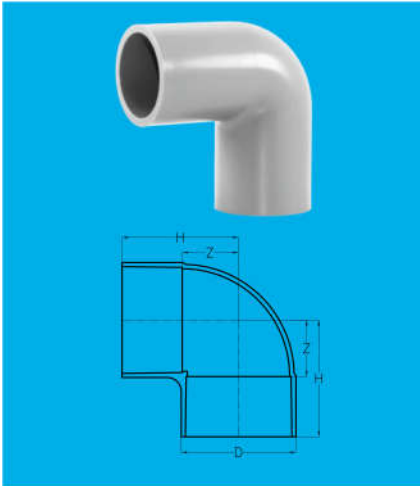
DN		PN	D	D <sub>1</sub>	Z	Z <sub>1</sub>	H	H <sub>1</sub>
mm	Inch	bar	mm	mm	mm	mm	mm	mm
27 x 21	3/4 x 1/2	15	34	28	12	14.5	48	46
34 x 21	1 x 1/2	15	41	28	12	19.4	53	50
34 x 27	1 x 3/4	15	41	34	16	19.4	57.5	55.5
60 x 27	2 x 3/4	15	70	34	17	33.3	81	69

**Chữ T cong / Bend T**



DN		PN	D	Z	Z <sub>1</sub>	Z <sub>2</sub>	H	H <sub>1</sub>	H <sub>2</sub>
mm	Inch	bar	mm	mm	mm	mm	mm	mm	mm
60	2	6	67	28.5	40	48.5	70	83	88
90	3	6	97	44	63	72	99	119	124

**Co 90°/ 90° Elbow**



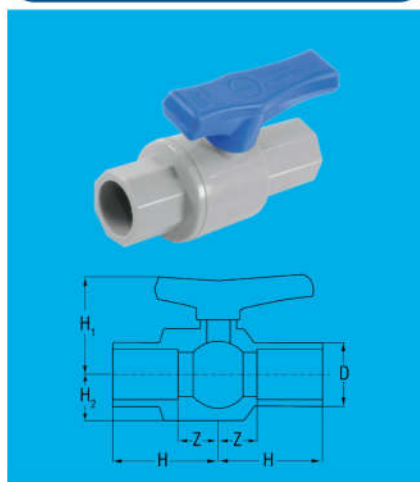
DN		PN	D	Z	H
mm	Inch	bar	mm	mm	mm
21	½	15	28	11	41
27	¾	15	33	14	49
34	1	15	41	17	57
42	1½	12	50	21	65
49	1¾	12	57	24	79
60	2	12	69	30	96
60	2	6	67	30	55
90	3	12	103	45	109
90	3	6	97	96	85
114	4	12	133	57	141
114	4	6	123	57	107

**Co 45°/ 45° Elbow**



DN		PN	D	Z	L
mm	Inch	bar	mm	mm	mm
21	½	15	28	5	35
27	¾	15	33	6	41
34	1	15	41	7	47
42	1¼	15	50	9	53
49	1½	12	57	10	65
60	2	12	69	13	76
60	2	6	67	13	38
90	3	12	103	19	83
90	3	6	97	19	59
114	4	9	127	24	108
114	4	6	123	24	74

**Van cầu / Ball valve**



DN		PN	D	Z	H	H <sub>1</sub>	H <sub>2</sub>
mm	Inch	bar	mm	mm	mm	mm	mm
21	½	12	28	16	49	49	22
27	¾	12	34	18	56	51	25
34	1	12	41	20	64	60	29
42	1½	12	52	28	72	105	37
49	1¾	12	58	33	88	115	43